

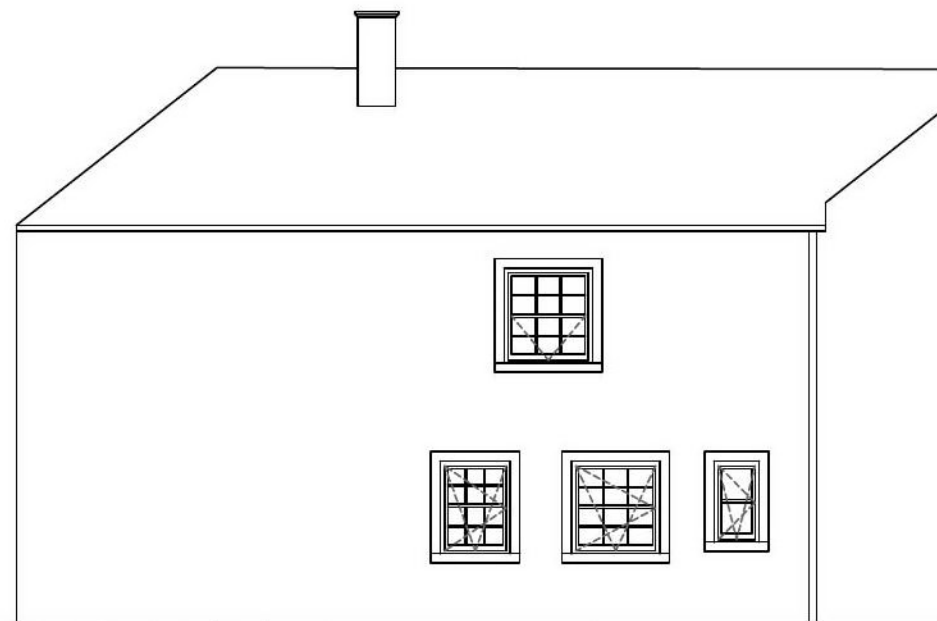
West Elevation (Front) Proposed UPVC Casement Windows in green to match existing



North Elevation (Side) Proposed UPVC Casement windows in green to match existing

notes:

1. This drawing is Copyright reserved and should be used only for the purposes intended in its original issue.
2. This drawing is to be read in conjunction with all relevant drawings and specifications including those from other Consultants.
3. Any existing dimensions should be checked on site and any discrepancies reported to the Architect.
4. Do not scale off this drawing, use only figured dimensions. The Contractor is to bring to the attention of the Architect any discrepancies contained in this drawing prior to work commencing.



South Elevation (Side) Proposed UPVC Casement windows in green to match existing

**Scottish Borders Council
Town And Country
Planning (Scotland) Act
1997**

REFUSED

**subject to the
requirements of the
associated Decision
Notice**

**21/01439/FUL
04/03/2022**

Scale 1:100



Revision	Description	By	Chk
A	FEB 22		
project			

The Auld Brewery
18/19 Slitrig Crescent
Hawick

title
Proposed Elevations

scale	size	date	drawn	checked
1:100	A3	SEP 21	FJH	
drawing status				

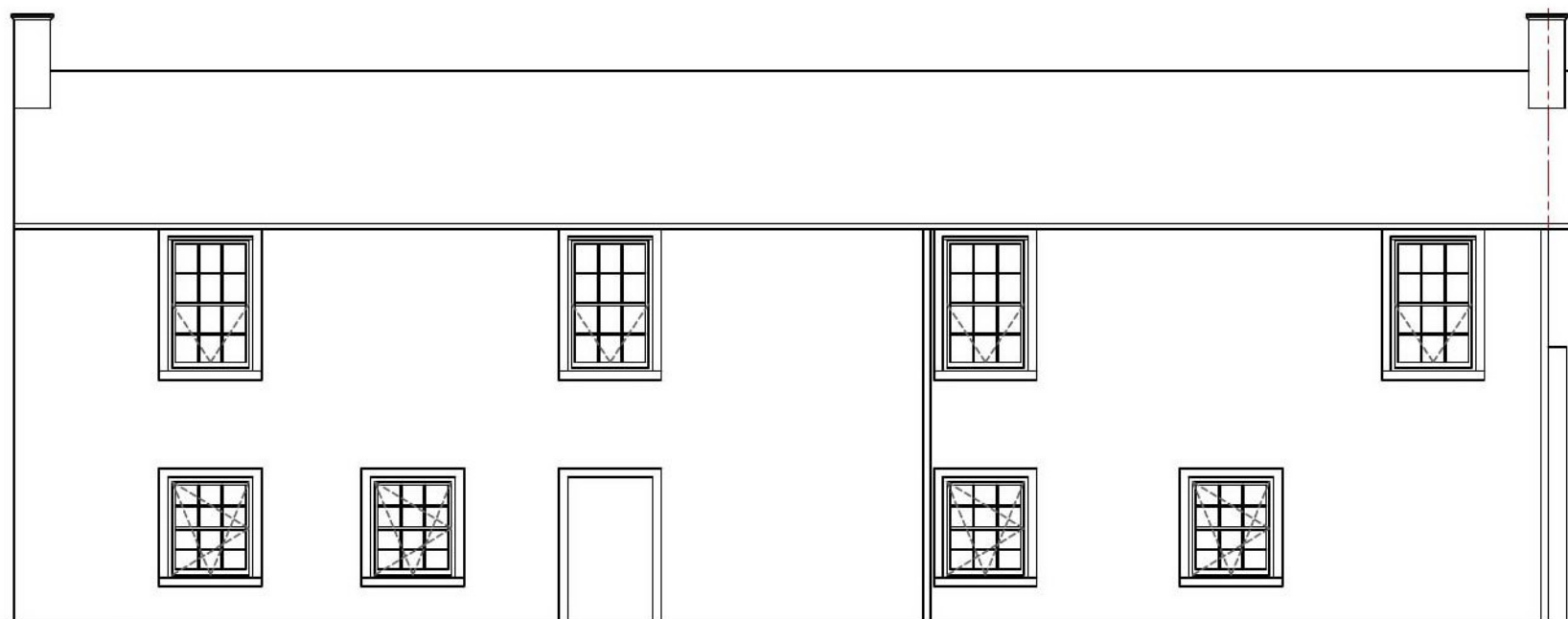
AITKEN TURNBULL ARCHITECTS
9 Bridge Place
Galashiels
TD1 1SN
01896 752760

enquiries@aitken-turnbull.co.uk
www.aitken-turnbull.co.uk

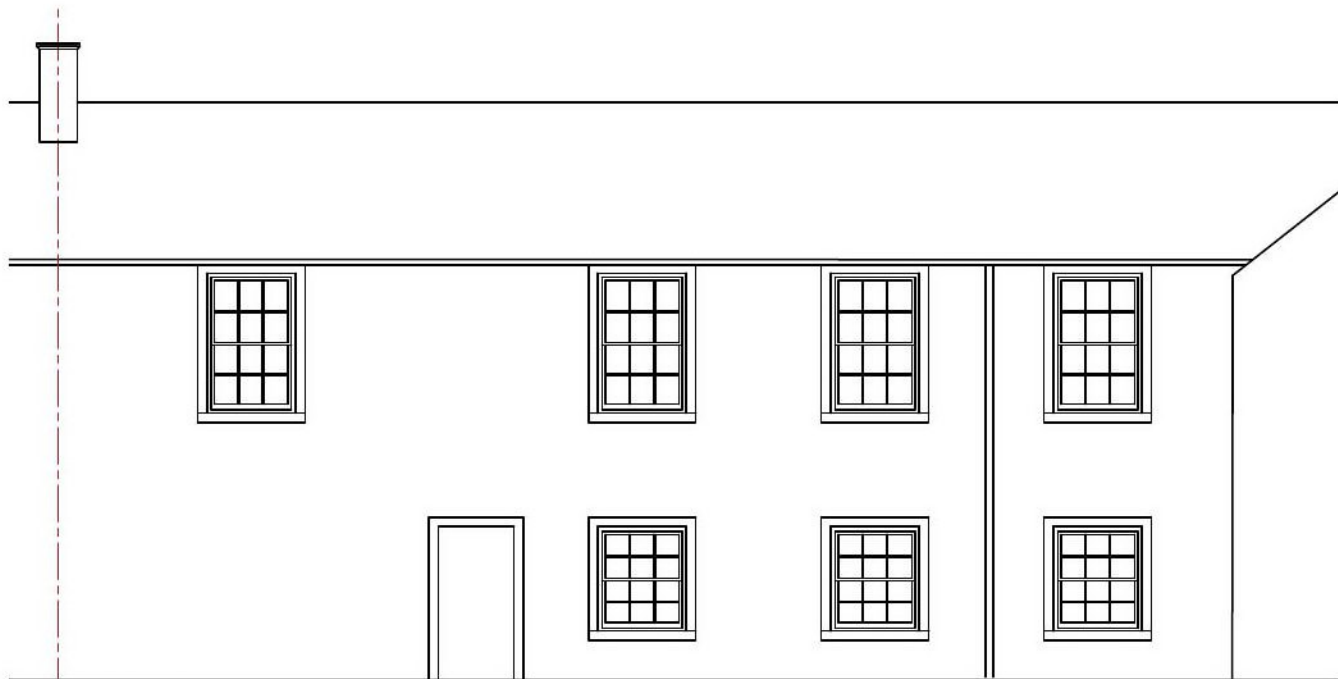
Also at Edinburgh & Dumfries



project no.	drawing no.	revision
AT3437	02	A



East Elevation (Rear) Proposed UPVC Casement windows in green to match existing



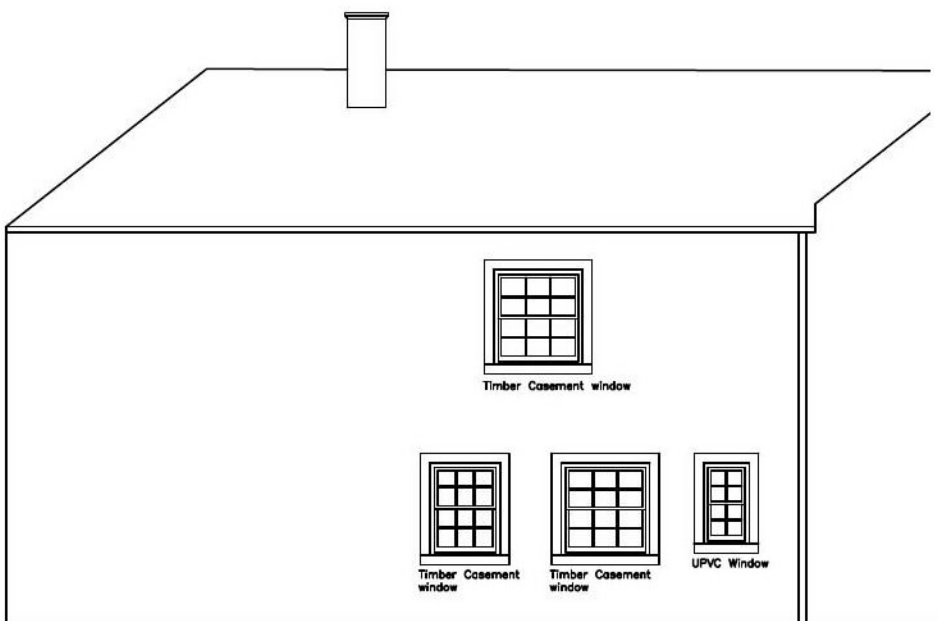
West Elevation (Front) All timber sliding windows



North Elevation (Side)

notes:

1. This drawing is Copyright reserved and should be used only for the purposes intended in its original issue.
2. This drawing is to be read in conjunction with all relevant drawings and specifications including those from other Consultants.
3. Any existing dimensions should be checked on site and any discrepancies reported to the Architect.
4. Do not scale off this drawing, use only figured dimensions. The Contractor is to bring to the attention of the Architect any discrepancies contained in this drawing prior to work commencing.



South Elevation (Side) UPVC heritage sliders to replace existing UPVC windows

Scottish Borders Council
Town And Country
Planning (Scotland) Act
1997

REFUSED

subject to the
requirements of the
associated Decision
Notice

21/01439/FUL
04/03/2022

Scale 1:100



Revision	Description	By	Chk
A	FEB 22		
project			

The Auld Brewery
18/19 Slitrig Crescent
Hawick

title
Existing Elevations

scale	size	date	drawn	checked
1:100	A3	SEP 21	FJH	

drawing status

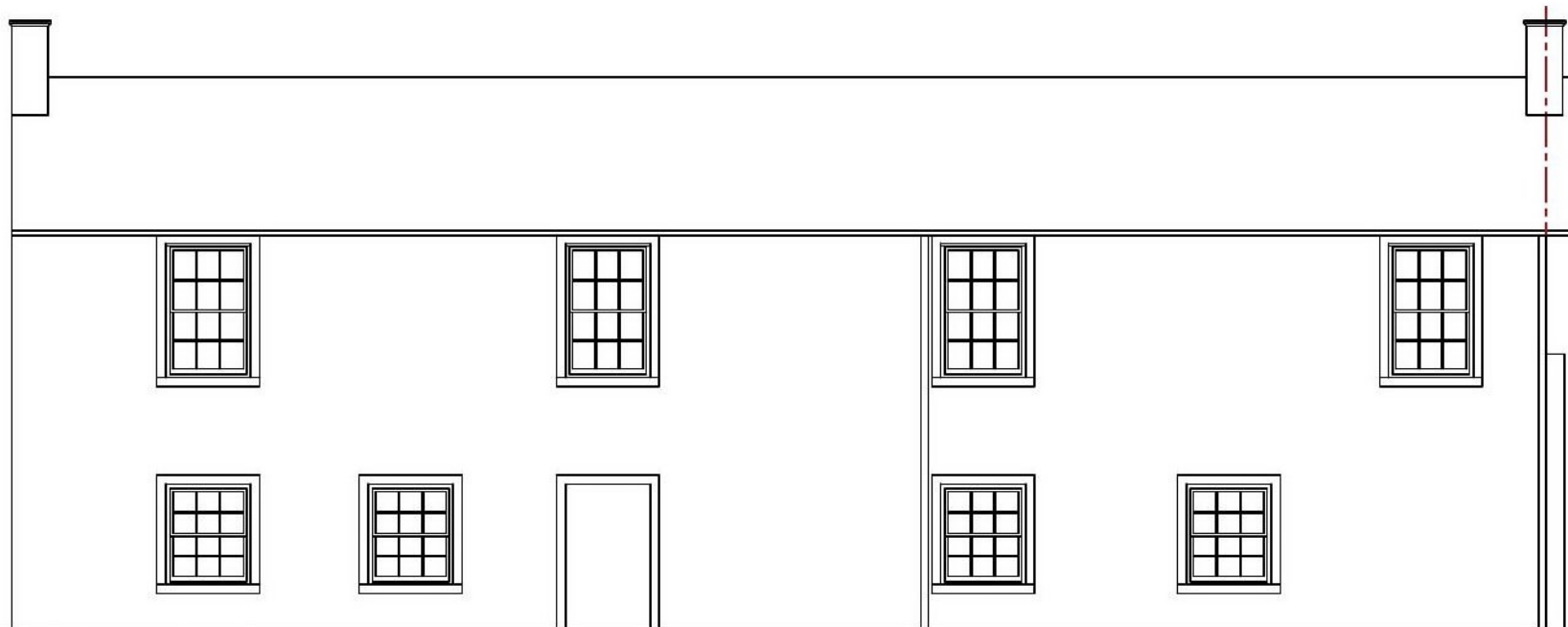
AITKEN TURNBULL ARCHITECTS
9 Bridge Place
Galashiels
TD1 1SN
01896 752760

enquiries@aitken-turnbull.co.uk
www.aitken-turnbull.co.uk

Also at Edinburgh & Dumfries



project no.	drawing no.	revision
AT3437	01	A



East Elevation (Rear) All timber sliding type

21/01439/FUL
04/03/2022

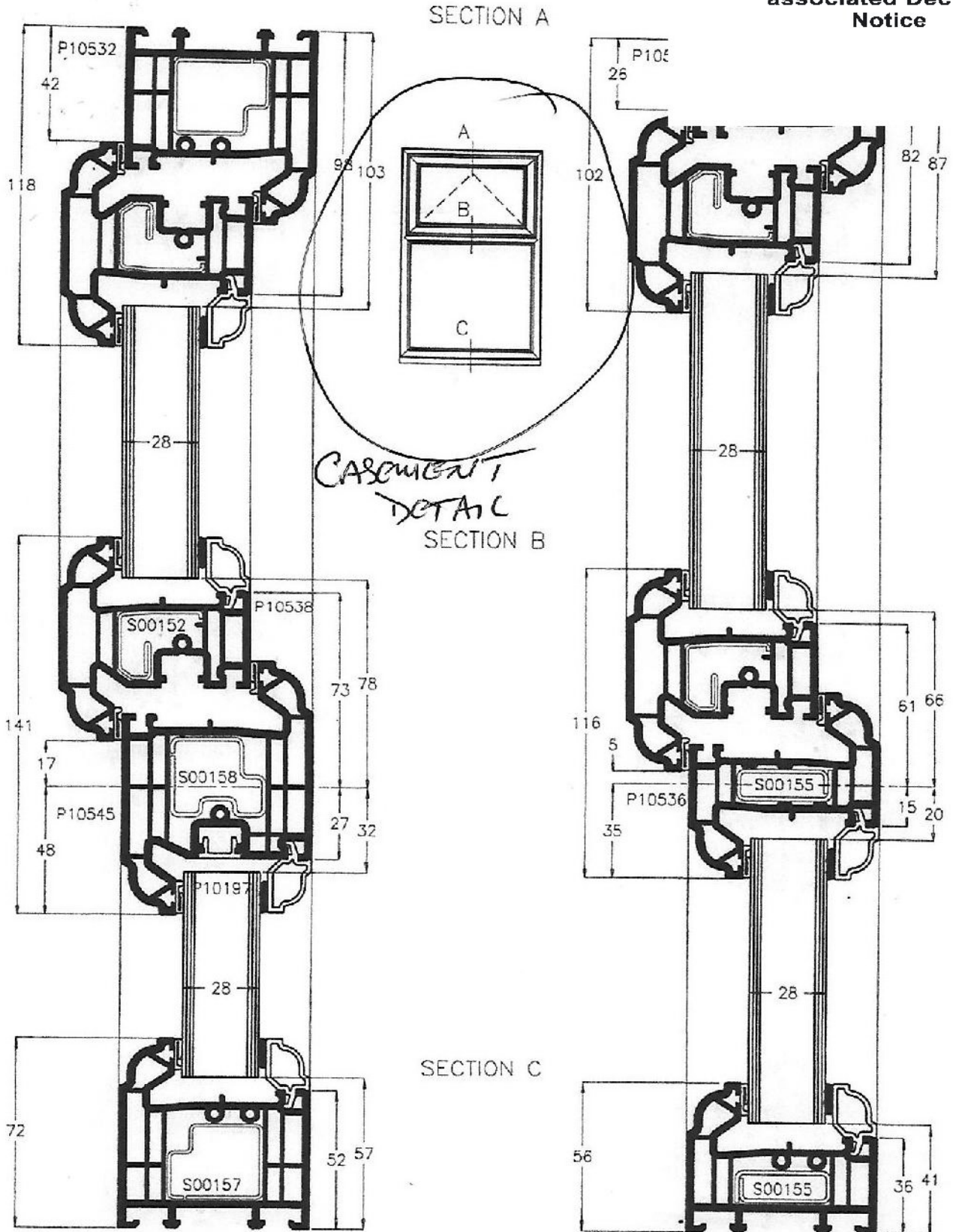
Scottish Borders Council
Town And Country
Planning (Scotland) Act
1997

REFUSED

RUSTIQUE

INTERNAL BEAD, P10531 OR P10532 OUTERFRAME, P10538 SASH

subject to the
requirements of the
associated Decision
Notice



21/01439/FUL
04/03/2022

Scottish Borders Council
Town And Country
Planning (Scotland) Act
1997

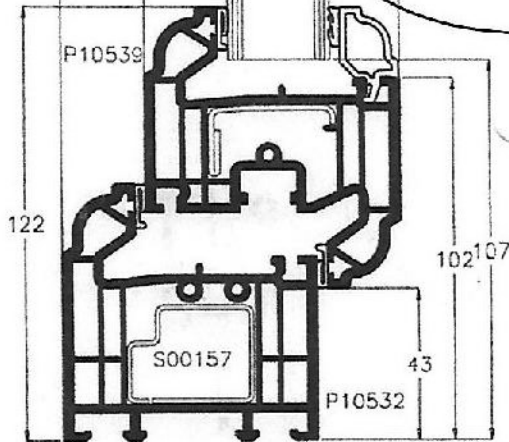
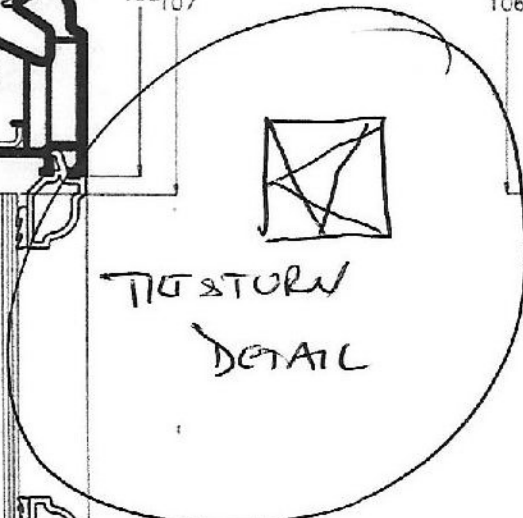
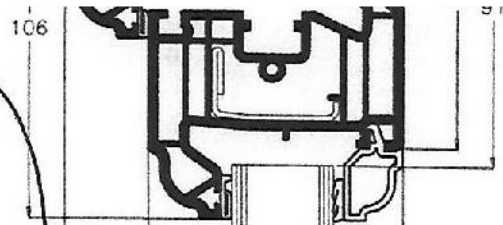
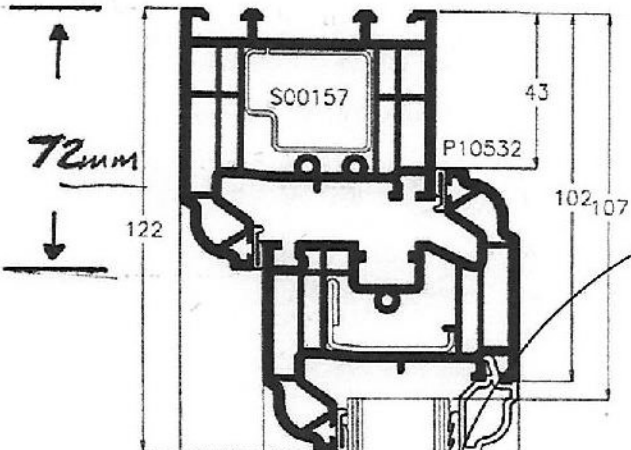
REFUSED

subject to the
requirements of the
associated Decision
Notice

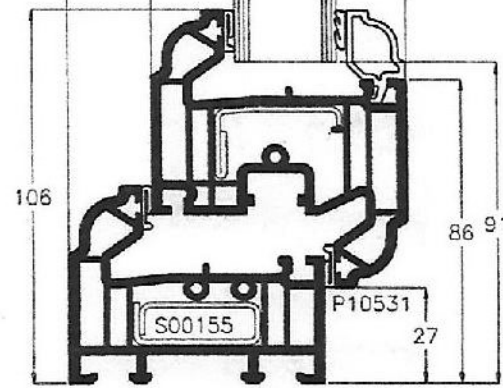
RUSTIQUE – OPEN IN,

2015/04/03/2022

SECTION A



SECTION B



SECTION C

